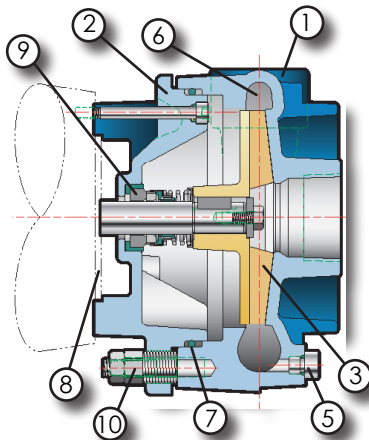
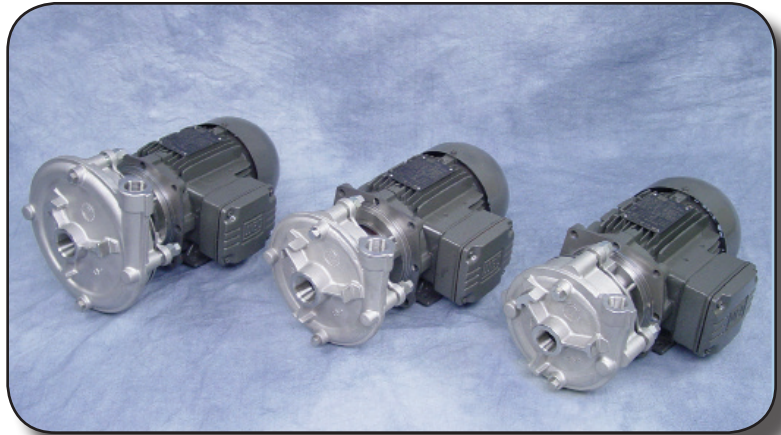




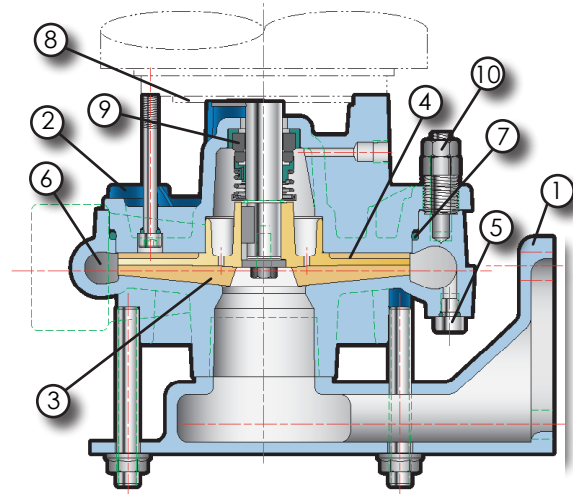
C4 • C5 • C6 SERIES CENTRIFUGAL PUMPS

Design Features

- For Boilers 1 to 700 Horsepower
- Capacities to 100GPM
- Heads to 145 Feet
- Low NPSHR
- Temperatures to 250°F
- UL Approved Motor



4" Impeller Model



Flange Mounted
5" & 6" Impeller Models

1	Stainless Steel Cover
2	Stainless Steel Motor Bracket
3	Stainless Steel Impeller
4	Thrust Balancing Impeller Blades
5	1/8" SAE Drain Plug
6	High Efficiency Water Channel Design
7	High-Temp "O" Rings
8	D3 Motors with 56C Face
9	Long lasting Mechanical Seals
10	Impeller Clearance Adjusting Nuts

Limitations

Discharge Pressure	200 PSI
Seal Pressure*	100 PSI
Suction Pressure (Min.)	26" Hg Vac.
Speed (Max.)	3500 RPM
*Suction Pressure Plus 50 Percent of Differential Pressure	
Temperature	
Standard Construction	-20°F +250°F
Horsepower	
1 Phase - D3	2 HP
3 Phase - D3	3 HP

Engineering Specifications

The contractor shall furnish (and install as shown on the plans) an Aero (C4___) (C5___) (C6___) Series horizontal close-coupled centrifugal type pump size _____ Stainless Steel construction. Each pump shall have a capacity of _____ GPM when operating at a total head of _____ feet. Suction pressure will be _____ feet with a liquid temperature of _____ °F.

The pump is to be furnished with 5/8" Type 21 mechanical seal with stainless steel metal parts, viton elastomers, ceramic seat and carbon washer. A 316 stainless steel shaft shall be furnished in all pumps.

The pump casing shall be vertically split, end suction, top discharge The impeller shall use dynamic thrust balancing.

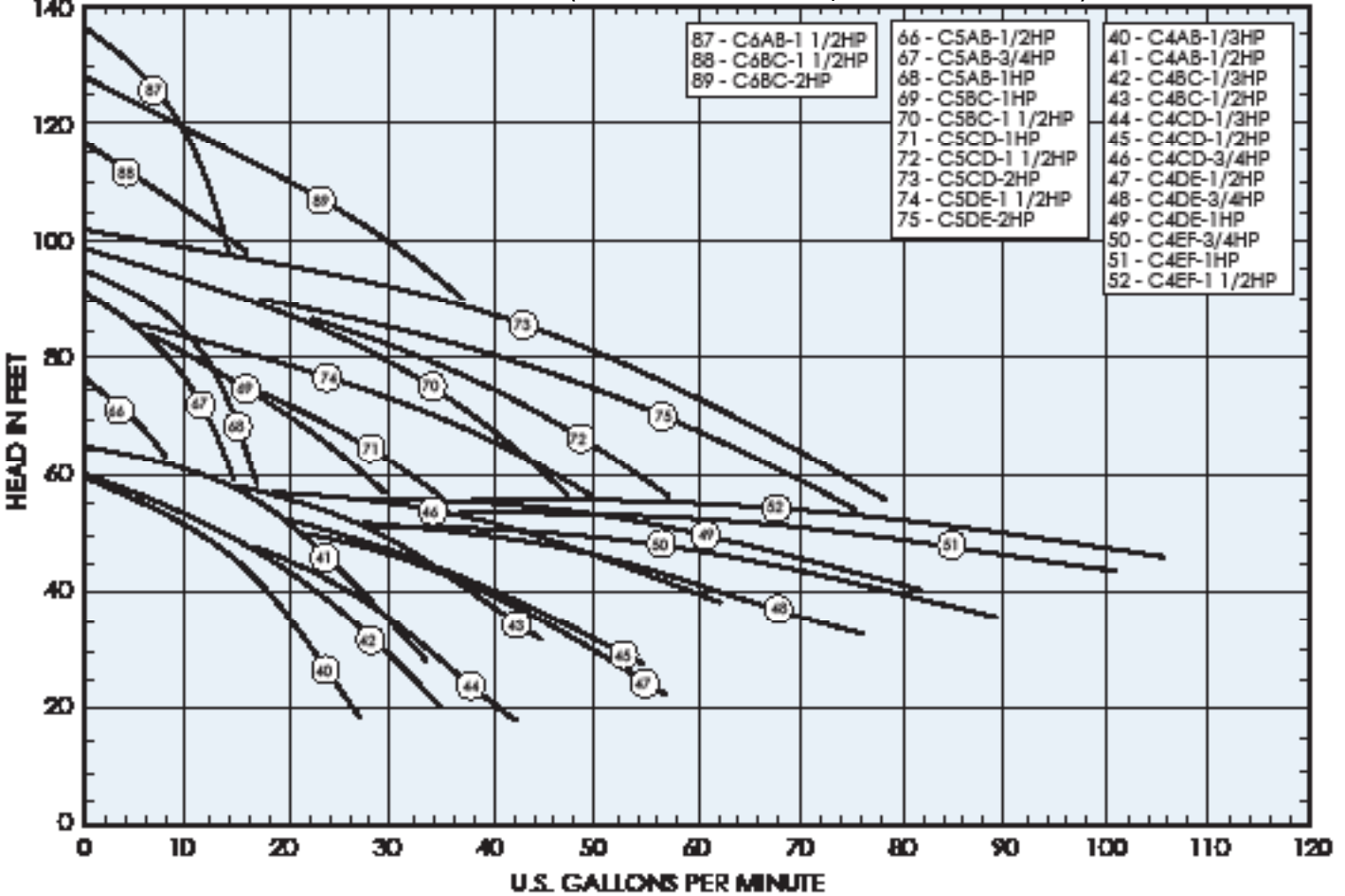
The pump shall be close-coupled to an 80mm "C" face ___ HP ___ phase ___ Hertz _____ Volt _____ RPM horizontal (Open Drip-Proof) (Totally Enclosed) motor with a CE Mark and UL rating.



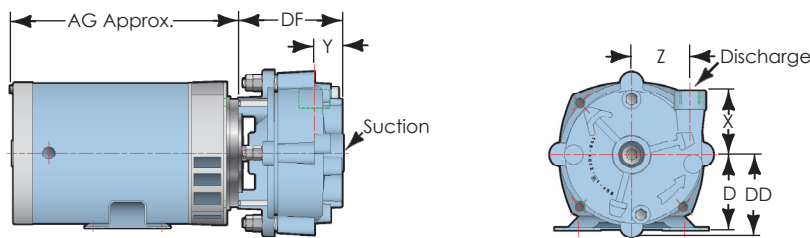
SINGLE PHASE PERFORMANCE & DIMENSIONS

Performance Curves

(60Hz Motor Horsepower Selections) **3450 RPM**



Single Phase ODP Motor Dimensions

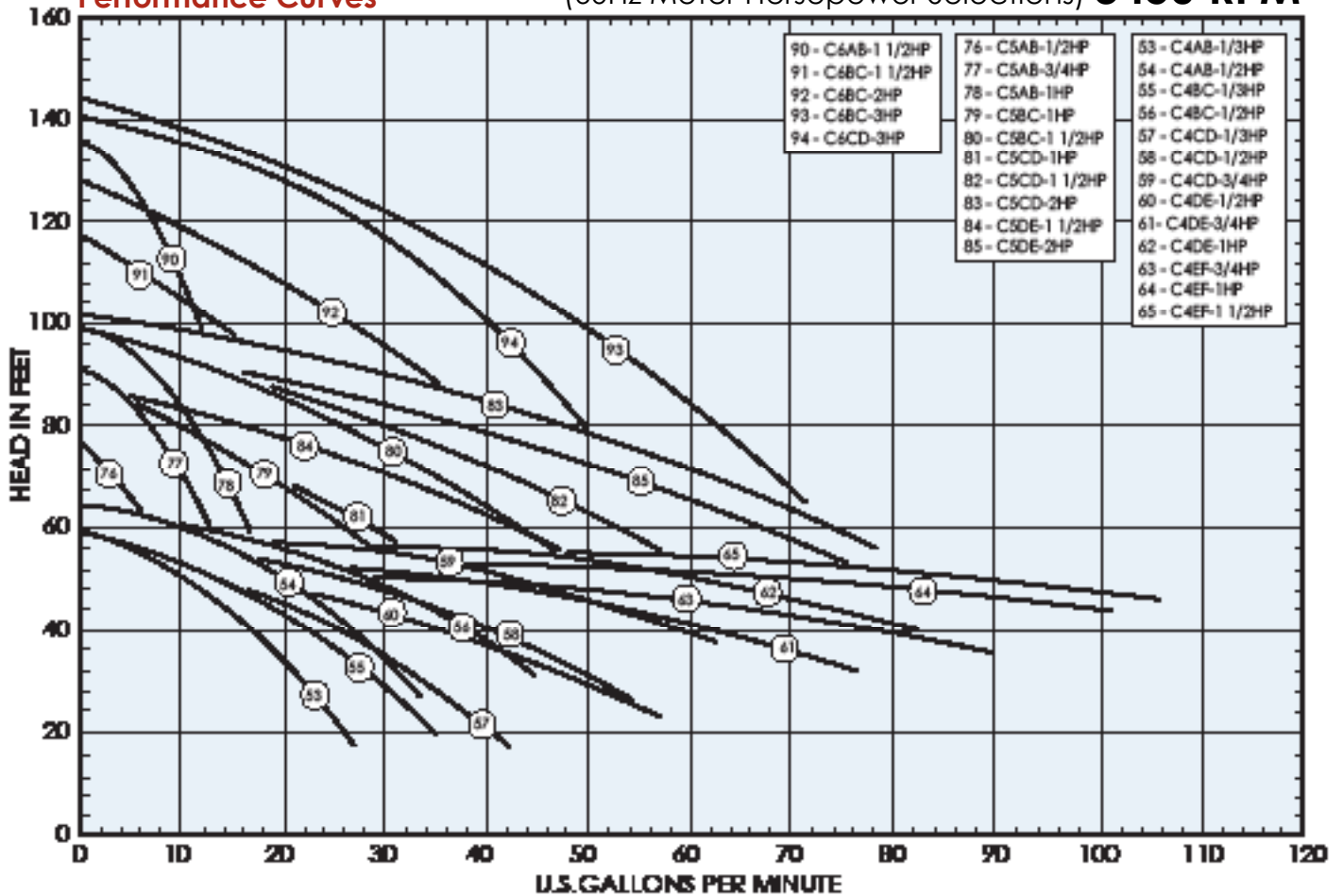


Model	Pump Size			DD	DF	X	Y	Z	48 Frame (1/3 - 1 1/2HP)		56 Frame (2HP)	
	Disch.	Suction	Imp. Ø						D	AG(Max.)	D	AG
C4AB	1/2	3/4	4	3 1/4	4 3/16	2 9/16	1 3/16	2 5/16	3	10 1/4	---	---
C4BC	3/4	1	4	3 1/4	4 3/8	2 5/8	1 5/16	2 7/16	3	10 1/4	---	---
C4CD	1	1 1/4	4	3 1/4	4 9/16	2 3/4	1 1/2	2 9/16	3	10 13/16	---	---
C4DE	1 1/4	1 1/2	4	3 7/16	4 13/16	2 15/16	1 3/4	2 11/16	3	10 13/16	---	---
C4EF	1 1/2	2	4	3 5/16	5 3/16	2 15/16	2 1/16	2 13/16	3	11 5/16	---	---
C5AB	1/2	3/4	5	3 1/2	4 3/8	3 1/16	1 5/16	2 3/4	3	10 13/16	---	---
C5BC	3/4	1	5	3 1/2	4 7/16	3 1/16	1 5/16	2 13/16	3	11 5/16	---	---
C5CD	1	1 1/4	5	3 5/8	4 9/16	3 3/16	1 1/2	3	3	11 5/16	3 1/2	10 15/16
C5DE	1 1/4	1 1/2	5	3 11/16	4 15/16	3 3/4	1 7/8	3 1/16	3	11 5/16	3 1/2	10 15/16
C6AB	1/2	3/4	6	3 15/16	4 5/8	3 7/16	1 1/2	3 5/16	3	11 5/16	---	---
C6BC	3/4	1	6	3 15/16	4 7/16	3 15/16	1 5/16	3 1/4	3	11 5/16	3 1/2	10 15/16

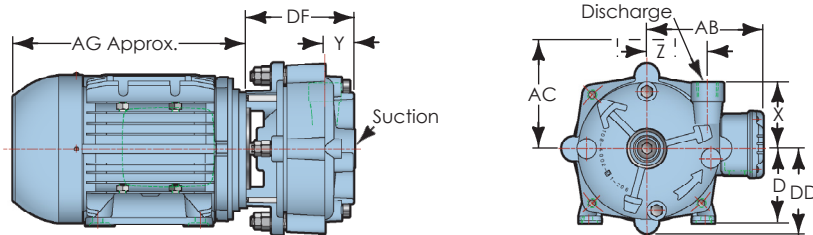
All units in inches

Performance Curves

(60Hz Motor Horsepower Selections) **3450 RPM**



Three Phase TEFC Motors Dimensions



Model	Pump Size			DD	DF	X	Y	Z	71 Frame (1/3HP - 1HP)			80 Frame (1 1/2HP - 2HP)			90 Frame (3HP)		
	Disch.	Suction	Imp. Ø						AB	D	AG	AB	D	AG	AC	D	AG
C4AB	1/2	3/4	4	3 1/4	4 3/16	2 9/16	1 3/16	2 5/16	5	2 13/16	8 13/16	---	---	---	---	---	---
C4BC	3/4	1	4	3 1/4	4 3/8	2 5/8	1 5/16	2 7/16	5	2 13/16	8 13/16	---	---	---	---	---	---
C4CD	1	1 1/4	4	3 1/4	4 9/16	2 3/4	1 1/2	2 9/16	5	2 13/16	8 13/16	---	---	---	---	---	---
C4DE	1 1/4	1 1/2	4	3 7/16	4 13/16	2 15/16	1 3/4	2 11/16	5	2 13/16	8 13/16	---	---	---	---	---	---
C4EF	1 1/2	2	4	3 5/16	5 3/16	2 15/16	2 1/16	2 13/16	5	2 13/16	8 13/16	5 1/8	3 1/8	9 7/16	---	---	---
C5AB	1/2	3/4	5	3 1/2	4 3/8	3 1/16	1 5/16	2 3/4	5	2 13/16	8 13/16	---	---	---	---	---	---
C5BC	3/4	1	5	3 1/2	4 7/16	3 1/16	1 5/16	2 13/16	5	2 13/16	8 13/16	5 1/8	3 1/8	9 7/16	---	---	---
C5CD	1	1 1/4	5	3 5/8	4 9/16	3 3/16	1 1/2	3	5	2 13/16	8 13/16	5 1/8	3 1/8	9 7/16	---	---	---
C5DE	1 1/4	1 1/2	5	3 11/16	4 15/16	3 3/4	1 7/8	3 1/16	---	---	---	5 1/8	3 1/8	9 7/16	---	---	---
C6AB	1/2	3/4	6	3 15/16	4 5/8	3 7/16	1 1/2	3 5/16	---	---	---	5 1/8	3 1/8	9 7/16	---	---	---
C6BC	3/4	1	6	3 15/16	4 7/16	3 15/16	1 5/16	3 1/4	---	---	---	5 1/8	3 1/8	9 7/16	5 7/8	3 9/16	11 5/16
C6CD	1	1 1/4	6	3 15/16	5 3/16	4 5/8	2 1/8	3 3/16	---	---	---	---	---	---	5 7/8	3 9/16	11 5/16

All units in inches



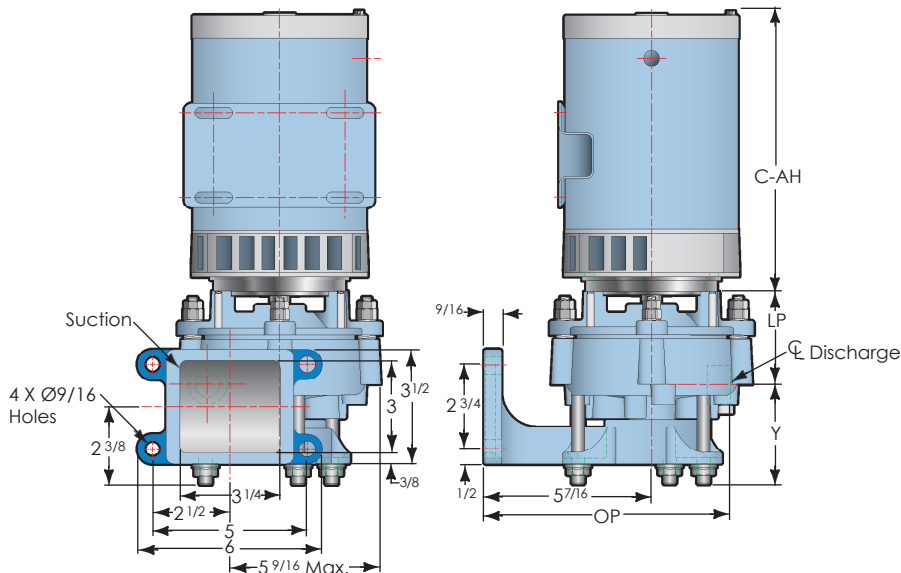
FLANGE MOUNTED CENTRIFUGAL PUMPS

**High Quality Stainless Steel...
Exceptional Value, Extraordinary
Quality...**

Fabtek Stainless Steel Flange Mounted Centrifugal Pumps from Fabtek offer the best materials available to create the longest lasting pumps for your boiler feed needs. Our flange mounted pumps feature high grade stainless steel in a compact size. This unique design is highly adaptable to many current fits and can easily replace your existing condensate return pump with very little modification to your existing system. These pumps are made to fit standard vertical flange mount tanks. Be sure to see our Fabtek Condensate Return Tanks for a complete system.



Model	Pump Size					C-AH				
	Disch.	Imp. Ø	OP	LP	Y	Single Phase		Three Phase		
						48 Frame 1/3-1HP	56 Frame 1 1/2-2HP	71 Frame 1/3HP - 1HP	80 Frame 1/2HP - 2HP	90 Frame 3HP
C4AB	1/2	4	8	3	1 11/16	8 5/8	---	8 13/16	---	---
C4BC	3/4	4	6 3/4	3 1/16	1 3/4	8 5/8	---	8 13/16	---	---
C4CD	1	4	8 3/16	3 1/16	2	8 5/8	---	8 13/16	---	---
C4DE	1 1/4	4	8 3/8	3 1/16	2 1/4	8 5/8	---	8 13/16	---	---
C4EF	1 1/2	4	8 3/8	3 1/8	2 9/16	8 5/8	11 5/16	8 13/16	9 7/16	---
C5AB	1/2	5	8 1/2	3 1/16	1 13/16	8 5/8	---	8 13/16	---	---
C5BC	3/4	5	8 1/2	3 1/8	1 13/16	8 5/8	11 5/16	8 13/16	9 7/16	---
C5CD	1	5	8 5/8	3 1/8	2	8 5/8	11 5/16	8 13/16	9 7/16	---
C5DE	1 1/4	5	9 3/16	3 1/16	2 5/16	---	11 5/16	---	9 7/16	---
C6AB	1/2	6	8 7/8	3 1/8	2	---	11 5/16	---	9 7/16	---
C6BC	3/4	6	9 3/8	3 1/8	1 13/16	---	11 5/16	---	9 7/16	11 5/16
C6CD	1	6	10 1/16	3 1/16	2 5/8	---	---	---	---	11 5/16



432 EAST SOUTH STREET
PLANO, IL 60545-9703
WWW.FABTEKAERO.COM
SALES@FABTEKAERO.COM