

## TANK ACCESSORIES

**STAINLESS STEEL SIGHT  
GAUGE VALVE ASSEMBLY**



**316 STAINLESS STEEL  
CHEMICAL INJECTION QUILL**



**AIR GAP FITTING**



**STAINLESS STEEL STEAM  
INJECTORS & SPARGE TUBES**



## STAINLESS STEEL HORIZONTAL BOILER FEED SYSTEM



775 Duvick Avenue • Sandwich, IL 60548

Ph: 630.552.3622 • Fax: 630.552.8220

[www.fabtekaero.com](http://www.fabtekaero.com)

**EXCEPTIONAL VALUE  
EXTRAORDINARY QUALITY**

### STANDARD FEATURES

#### Fabtek Series SSHBFS Horizontal Boiler Feed Systems

- Sixteen (16) Standard Tank Sizes
- 65 Gallons - 1023 Gallons
- Steam Preheat Packages available
- Factory Installed Insulation available

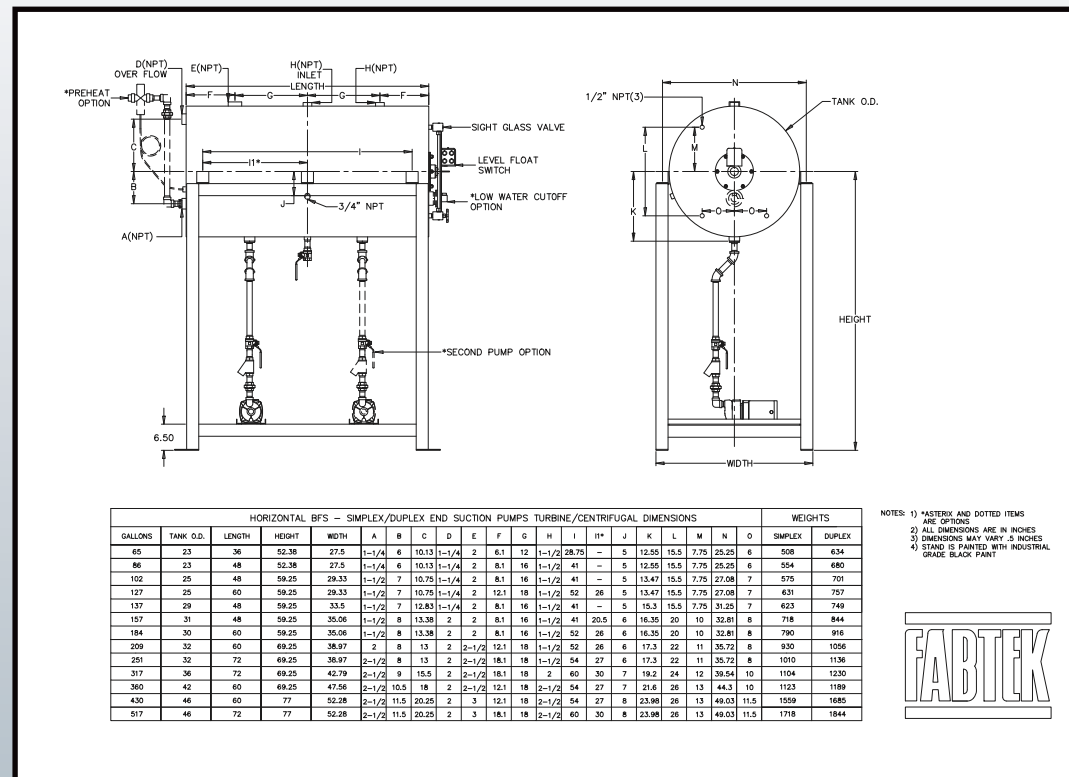
- 304 Stainless Steel Receivers with 20 year warranty against failure due to corrosion
- Horizontal End Suction or Vertical Multistage Pumps
- Heavy Duty Stainless Steel Sight Gauge Valve Assembly



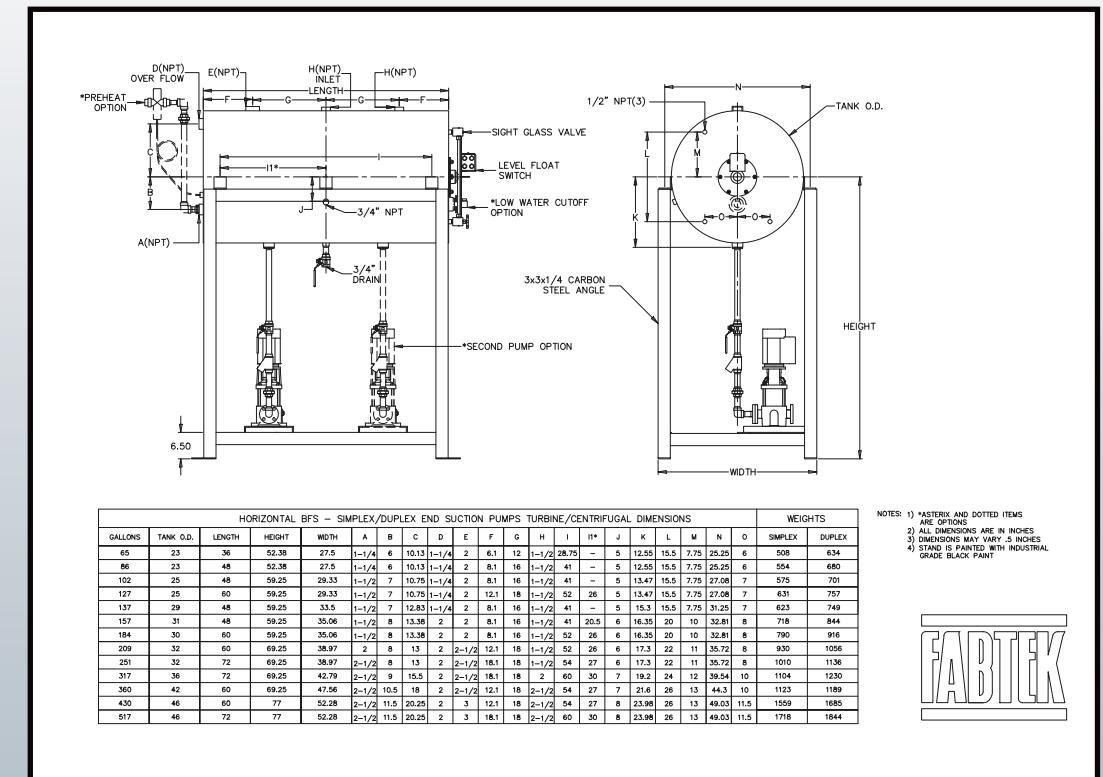
775 Duvick Avenue • Sandwich, IL 60548  
Ph: 630.552.3622 • Fax: 630.552.8220  
[www.fabtekaero.com](http://www.fabtekaero.com)



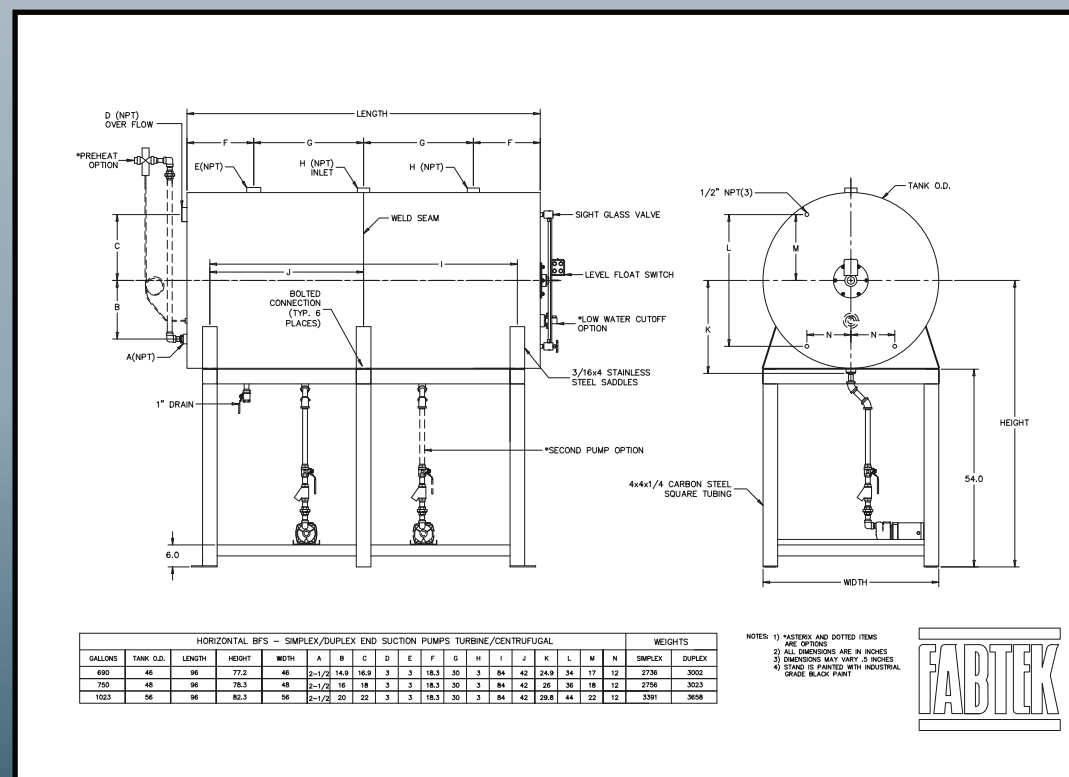
## 65 - 517 GALLON TANKS HORIZONTAL END SUCTION PUMPS CARBON STEEL ANGLE SUPPORT STAND



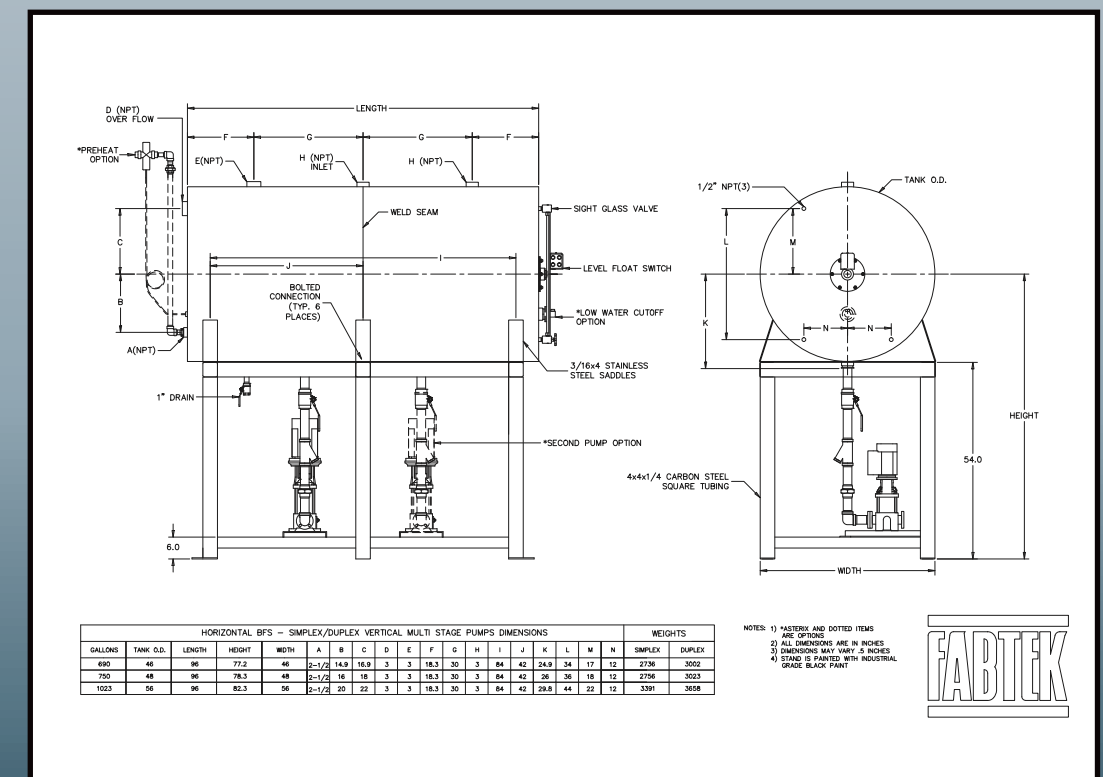
## 65 - 517 GALLON TANKS VERTICAL MULTISTAGE PUMPS CARBON STEEL ANGLE SUPPORT STAND



## 690 - 1023 GALLON TANKS HORIZONTAL END SUCTION PUMPS CARBON STEEL 4x4 SQUARE TUBE SUPPORT STAND



## 690 - 1023 GALLON TANKS VERTICAL MULTISTAGE PUMPS CARBON STEEL 4x4 SQUARE TUBE SUPPORT STAND



775 Duvick Avenue • Sandwich, IL 60548  
Ph: 630.552.3622 • Fax: 630.552.8220  
www.fabtekaero.com

775 Duvick Avenue • Sandwich, IL 60548  
Ph: 630.552.3622 • Fax: 630.552.8220  
www.fabtekaero.com

