

## TANK ACCESSORIES

**STAINLESS STEEL SIGHT  
GAUGE VALVE ASSEMBLY**



**316 STAINLESS STEEL  
CHEMICAL INJECTION QUILL**



**AIR GAP FITTING**



**STAINLESS STEEL STEAM  
INJECTORS & SPARGE TUBES**



## STAINLESS STEEL VERTICAL BOILER FEED SYSTEM



775 Duvick Avenue • Sandwich, IL 60548

Ph: 630.552.3622 • Fax: 630.552.8220

[www.fabtekaero.com](http://www.fabtekaero.com)

### Fabtek Series SSVBFS Vertical Boiler Feed Systems

- Five (5) Standard Simplex Sizes
- Eight (8) Standard Duplex Sizes
- Horizontal End Suction or Vertical Multistage Pumps available
- UL Listed Control Panels available

### STANDARD FEATURES

- 304 Stainless Steel Receivers with 20 year warranty against failure due to corrosion
- Stainless Steel or Cast Iron Bronze Fitted Boiler Feed Pumps
- Heavy Duty Stainless Steel Sight Gauge Valve Assembly
- TEFC Motor enclosures



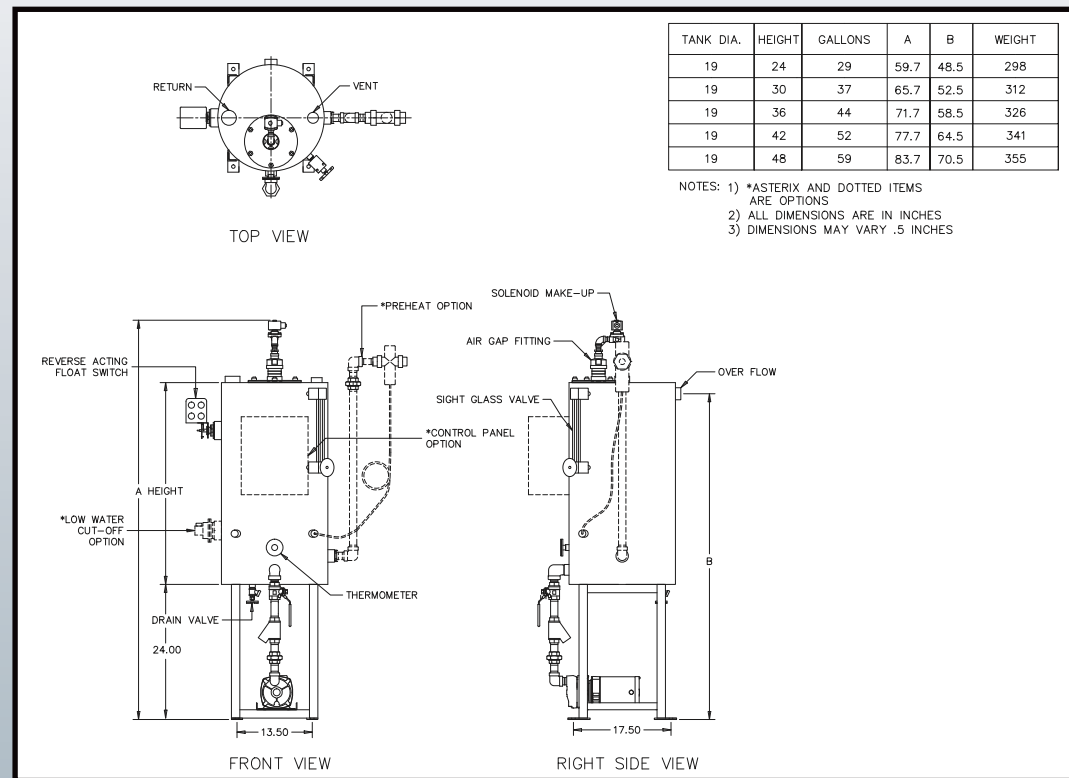
775 Duvick Avenue • Sandwich, IL 60548  
Ph: 630.552.3622 • Fax: 630.552.8220  
[www.fabtekaero.com](http://www.fabtekaero.com)



**EXCEPTIONAL VALUE  
EXTRAORDINARY QUALITY**

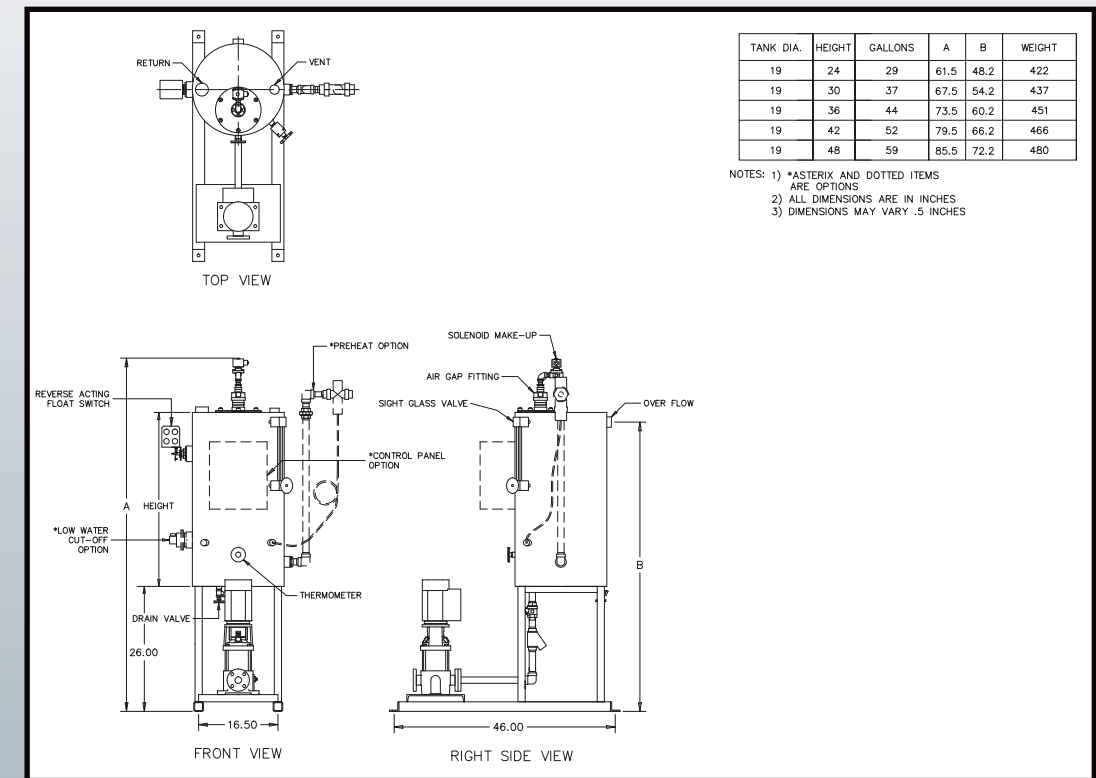
# VERTICAL BOILER FEED SYSTEMS WITH HORIZONTAL END SUCTION CENTRIFUGAL OR REGENERATIVE TURBINE PUMPS

DIMENSIONS - 19" DIAMETER  
SIMPLEX ONLY

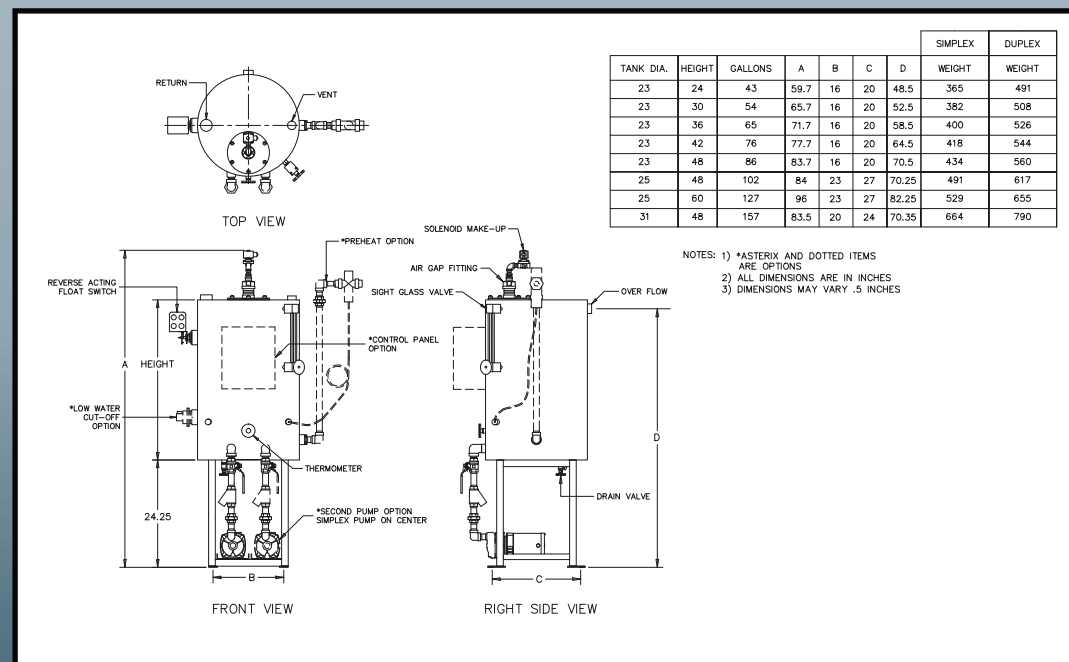


# VERTICAL BOILER FEED SYSTEMS WITH VERTICAL MULTISTAGE CENTRIFUGAL PUMPS

DIMENSIONS - 19" DIAMETER  
SIMPLEX ONLY



DIMENSIONS - 23" - 31" DIAMETER  
SIMPLEX OR DUPLEX



DIMENSIONS - 23" - 31" DIAMETER  
SIMPLEX OR DUPLEX

