

STAINLESS STEEL LOWBOY SERIES CONDENSATE RETURN UNITS & BOILER FEED SYSTEMS

EXCEPTIONAL VALUE | EXTRAORDINARY QUALITY



STANDARD FEATURES ALL FABTEK SSLB SERIES

- 304 SS Cylindrical Receivers with 20 Year Warranty against failure due to corrosion.
- 304 SS Vertical Flange Mounted Pumps
- Heavy Duty SS Tank Saddles
- Heavy Duty SS Sight Gauge Valve Assembly
- TEFC Motor Enclosures
- Eleven Standard Sizes
- 54 - 517 Gallons
- Simplex or Duplex Pump Configurations



FABTEK

775 Duvick Ave. Sandwich, IL
Phone: 630.552.3622 Fax: 630.552.8220

www.fabtekaero.com

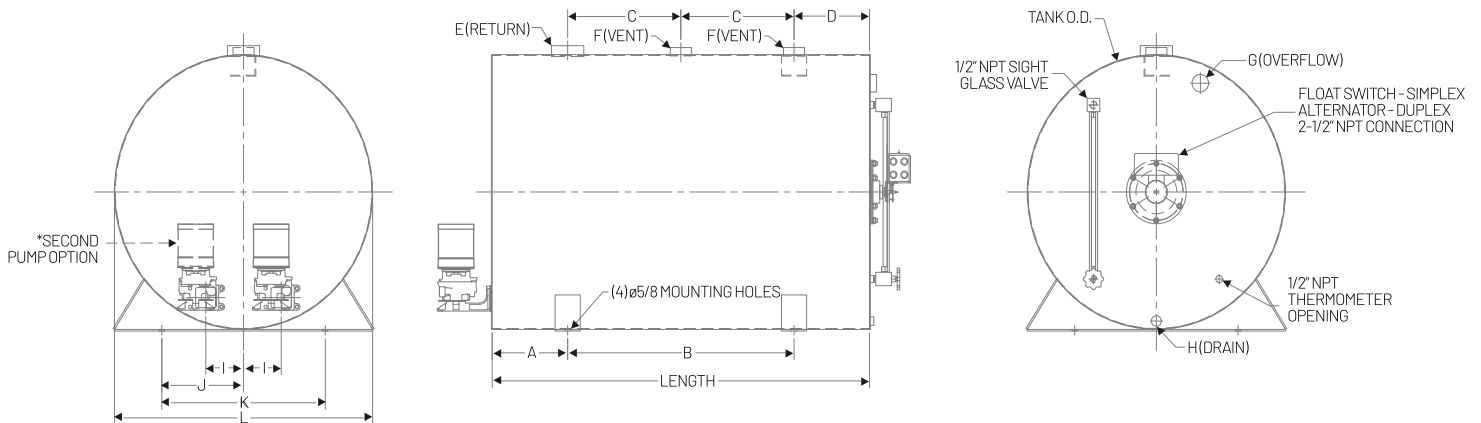
FABTEK LBCRU SERIES STAINLESS STEEL CONDENSATE RETURN UNITS

Include all standard stainless steel LB series features and NEMA 1 float switch (simplex) or NEMA 1 mechanical alternator (duplex) for level control.

AVAILABLE OPTIONS

- Thermometer
- Discharge Pressure Gauges
- UL Listed Control Panels
- Custom Tanks & Configurations Available
- Basket Strainers
- Stainless Steel Suction Isolation Valves
- Level Alarm Switches
- Washdown Duty Units

DIMENSIONS



| LOWBOY - SIMPLEX/DUPLEX CONDENSATE UNIT DIMENSIONS | | | | | | | | | | | | | | WEIGHTS | | |
|--|-----------|--------|----|----|----|----|---|-------|-------|-------|-------|------|----|---------|---------|--------|
| GAL | TANK O.D. | LENGTH | A | B | C | D | E | F | G | H | I | J | K | L | SIMPLEX | DUPLEX |
| 54 | 23 | 30 | 6 | 18 | 8 | 7 | 2 | 1-1/2 | 1-1/4 | 3/4 | 4-1/4 | 7.5 | 15 | 23 | 220 | 270 |
| 65 | 23 | 36 | 6 | 24 | 12 | 6 | 2 | 1-1/2 | 1-1/4 | 3/4 | 4-1/4 | 7.5 | 15 | 23 | 235 | 285 |
| 76 | 23 | 42 | 3 | 36 | 10 | 11 | 2 | 1-1/2 | 1-1/4 | 3/4 | 4-1/4 | 7.5 | 15 | 23 | 279 | 329 |
| 86 | 23 | 48 | 6 | 36 | 16 | 8 | 2 | 1-1/2 | 1-1/4 | 3/4 | 4-1/4 | 7.5 | 15 | 23 | 294 | 344 |
| 102 | 25 | 48 | 10 | 28 | 16 | 8 | 3 | 1-1/2 | 1-1/4 | 3/4 | 5 | 8.5 | 17 | 25 | 280 | 330 |
| 127 | 25 | 60 | 10 | 40 | 16 | 14 | 3 | 1-1/2 | 1-1/2 | 3/4 | 5 | 8.5 | 17 | 25 | 310 | 360 |
| 157 | 31 | 48 | 10 | 28 | 16 | 8 | 3 | 1-1/2 | 2 | 1 | 5 | 10.5 | 21 | 31 | 390 | 440 |
| 184 | 30 | 60 | 10 | 40 | 18 | 12 | 3 | 1-1/2 | 2 | 1 | 5 | 10 | 20 | 30 | 430 | 480 |
| 209 | 32 | 60 | 10 | 40 | 18 | 12 | 4 | 1-1/2 | 2 | 1 | 5 | 11 | 22 | 32 | 460 | 510 |
| 251 | 32 | 72 | 12 | 48 | 18 | 18 | 4 | 2-1/2 | 2 | 1 | 5 | 11 | 22 | 32 | 510 | 560 |
| 317 | 36 | 72 | 12 | 48 | 18 | 18 | 4 | 2 | 2 | 1 | 6 | 13 | 26 | 36 | 560 | 600 |
| 360 | 42 | 60 | 12 | 36 | 18 | 12 | 4 | 2-1/2 | 2 | 1 | 6 | 16 | 32 | 42 | 610 | 660 |
| 431 | 46 | 60 | 12 | 36 | 18 | 12 | 4 | 2-1/2 | 2 | 1-1/4 | 8 | 18 | 36 | 46 | 960 | 1010 |
| 517 | 46 | 72 | 12 | 48 | 18 | 18 | 4 | 2-1/2 | 2 | 1-1/4 | 8 | 18 | 36 | 46 | 1310 | 1360 |

NOTES: 1) ALL DIMENSIONS ARE IN INCHES
 2) DIMENSIONS MAY VARY .5 INCHES
 3) SADDLES ARE CONSTRUCTED OUT OF 1/4x4 STAINLESS STEEL PLATE

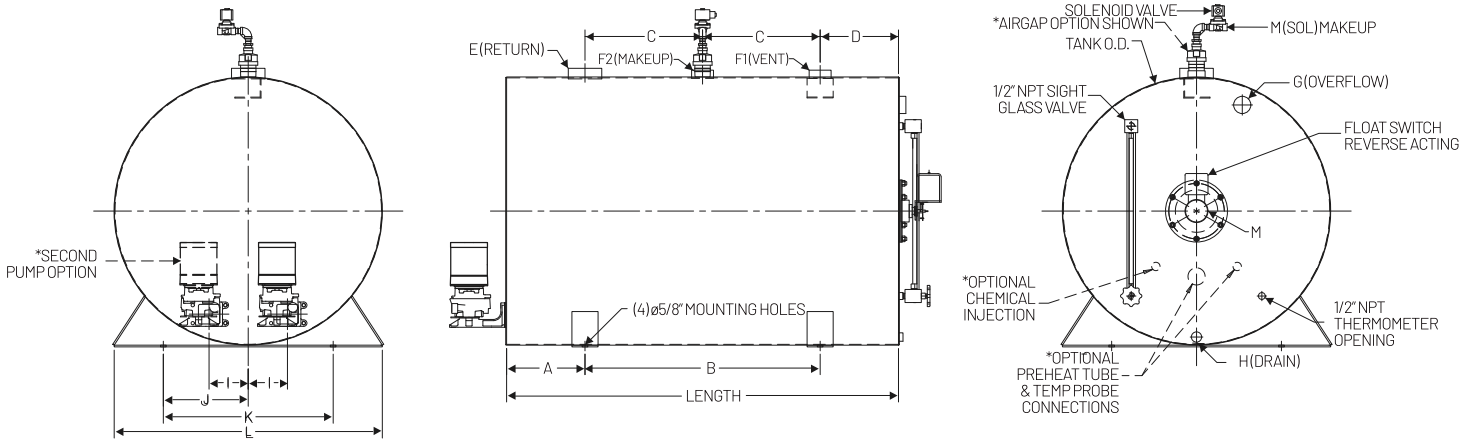
FABTEK LBBFS SERIES STAINLESS STEEL BOILER FEED SYSTEMS

Include all standard stainless steel LB series features and electric solenoid/float switch fresh water make up assembly.

AVAILABLE OPTIONS

- Thermometer
- Discharge Pressure Gauges
- UL Listed Control Panels
- Steam Preheat Packages
- Air Gap Fittings
- Basket Strainers
- Stainless Steel Suction Isolation Valves
- Level Alarm Switches
- You name it, we've done it
- Custom Tanks and Configurations Available

DIMENSIONS

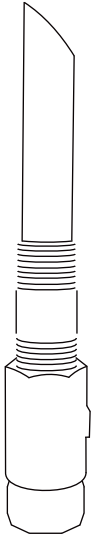


| LOWBOY - SIMPLEX/DUPLEX BOILER FEED SYSTEM DIMENSIONS | | | | | | | | | | | | | | | WEIGHTS | | | | |
|---|-----------|--------|----|----|----|----|-------|-------|-------|-------|-------|------|----|----|---------|-------|-----|---------|--------|
| GAL | TANK O.D. | LENGTH | A | B | C | D | E | F | G | H | I | J | K | L | M | | | SIMPLEX | DUPLEX |
| | | | | | | | | | | | | | | | MECH | ELEC | SOL | | |
| 54 | 23 | 30 | 6 | 18 | 8 | 7 | 2 | 1-1/2 | 1-1/4 | 3/4 | 4-1/4 | 7.5 | 15 | 23 | 1/2 | 2-1/2 | 1/2 | 220 | 270 |
| 65 | 23 | 36 | 6 | 24 | 12 | 6 | 2 | 1-1/2 | 1-1/4 | 3/4 | 4-1/4 | 7.5 | 15 | 23 | 1/2 | 2-1/2 | 1/2 | 235 | 285 |
| 76 | 23 | 42 | 3 | 36 | 10 | 11 | 2 | 1-1/2 | 1-1/4 | 3/4 | 4-1/4 | 7.5 | 15 | 23 | 1/2 | 2-1/2 | 1/2 | 279 | 329 |
| 86 | 23 | 48 | 6 | 36 | 16 | 8 | 2 | 1-1/2 | 1-1/4 | 3/4 | 4-1/4 | 7.5 | 15 | 23 | 1/2 | 2-1/2 | 1/2 | 294 | 344 |
| 102 | 25 | 48 | 10 | 28 | 16 | 8 | 2 | 1-1/2 | 1-1/4 | 3/4 | 5 | 8.5 | 17 | 25 | 3/4 | 2-1/2 | 3/4 | 280 | 330 |
| 127 | 25 | 60 | 10 | 40 | 16 | 14 | 2 | 1-1/2 | 1-1/2 | 3/4 | 5 | 8.5 | 17 | 25 | 3/4 | 2-1/2 | 3/4 | 310 | 360 |
| 157 | 31 | 48 | 10 | 28 | 16 | 8 | 2 | 1-1/2 | 2 | 1 | 5 | 10.5 | 21 | 31 | 3/4 | 2-1/2 | 3/4 | 390 | 440 |
| 184 | 30 | 60 | 10 | 40 | 18 | 12 | 2-1/2 | 1-1/2 | 2 | 1 | 5 | 10 | 20 | 30 | 3/4 | 2-1/2 | 3/4 | 430 | 480 |
| 209 | 32 | 60 | 10 | 40 | 18 | 12 | 2-1/2 | 1-1/2 | 2 | 1 | 5 | 11 | 22 | 32 | 3/4 | 2-1/2 | 3/4 | 460 | 510 |
| 251 | 32 | 72 | 12 | 48 | 18 | 18 | 2-1/2 | 1-1/2 | 2 | 1 | 5 | 11 | 22 | 32 | 3/4 | 2-1/2 | 3/4 | 510 | 560 |
| 317 | 36 | 72 | 12 | 48 | 18 | 18 | 2-1/2 | 2 | 2 | 1 | 6 | 13 | 26 | 36 | 3/4 | 2-1/2 | 3/4 | 560 | 600 |
| 360 | 42 | 60 | 12 | 36 | 18 | 12 | 2-1/2 | 2-1/2 | 2 | 1 | 6 | 16 | 32 | 42 | 3/4 | 2-1/2 | 3/4 | 610 | 660 |
| 431 | 46 | 60 | 12 | 36 | 18 | 12 | 3 | 2-1/2 | 2 | 1-1/4 | 8 | 18 | 36 | 46 | 3/4 | 2-1/2 | 3/4 | 960 | 1010 |
| 517 | 46 | 72 | 12 | 48 | 18 | 18 | 3 | 2-1/2 | 2 | 1-1/4 | 8 | 18 | 36 | 46 | 3/4 | 2-1/2 | 3/4 | 1310 | 1360 |

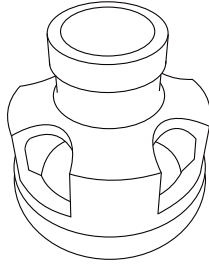
- NOTES: 1) ALL DIMENSIONS ARE IN INCHES
 2) DIMENSIONS MAY VARY .5 INCHES
 3) SADDLES ARE CONSTRUCTED OUT OF 1/4x4 STAINLESS STEEL PLATE
 4) WHEN LOWBOY IS USED AS A BOILER FEED EITHER MECHANICAL OR ELECTRICAL MAKE-UP ARE AVAILABLE. IF MECHANICAL (M) IS CHOSEN, OPENING F2 MATCHES F1 AS SECONDARY VENT AND MAKE-UP INLET IS IN CENTER OF END COVER PLATE. IF ELECTRICAL IS CHOSEN, AIRGAP/SOLENOID ASSEMBLY IS THREADED INTO OPENING F2 AND FLOAT SWITCH IS THREADED INTO END COVER PLATE

TANK ACCESSORIES

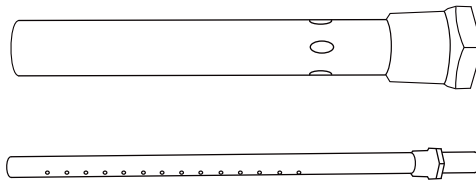
316 STAINLESS STEEL
CHEMICAL INJECTION QUILL



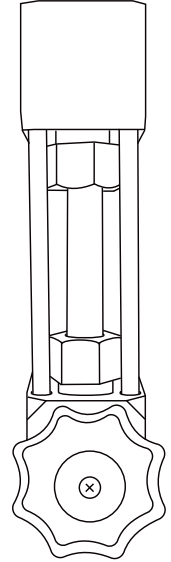
AIR GAP FITTING



STAINLESS STEEL STEAM
INJECTORS & SPARGE TUBES



STAINLESS STEEL SIGHT
GAUGE VALVE ASSEMBLY



FACTORY INSTALLED TANK INSULATION

Tank is wrapped with a 1" Ceramic Fiber Blanket rated to 2600° F and Clad in Aluminum Jacketing with Embossed Stucco Finish.

TANK INSULATION FEATURES

ALUMINUM JACKETING (CLADDING) .020" THICKNESS

- The Premier Protective Outer Surface for Tank Insulation
- Protects the Tank from Physical Damage, UV Exposure, Corrosive Atmospheres and Water
- Stucco Embossed Finish
- 3 mil Thick Polyfoam Moisture Barrier Heat Laminated to Inner Surface

CERAMIC FIBER INSULATION (RCF) 1" THICKNESS

- Used Primarily for Industrial High Temperature Insulating Applications
- Rated to 2600 Degrees F (1425 Degrees C)
- Non-Combustible, Insoluble, Non-Reactive
- Provides the Heat Resistance of a Hard Refractory with Greater Insulation Value



Founded 80 years ago in Aurora, IL, Fabtek offers a complete line of condensate return pumps, boiler feed systems, and vacuum condensate pumps, as well as accessories including chemical injection quills, sparge tubes, valves, gauges, and more. Fabtek will also fabricate custom tanks and its products can fit up with competitive models either directly, or through the use of adapter plates or flanges.