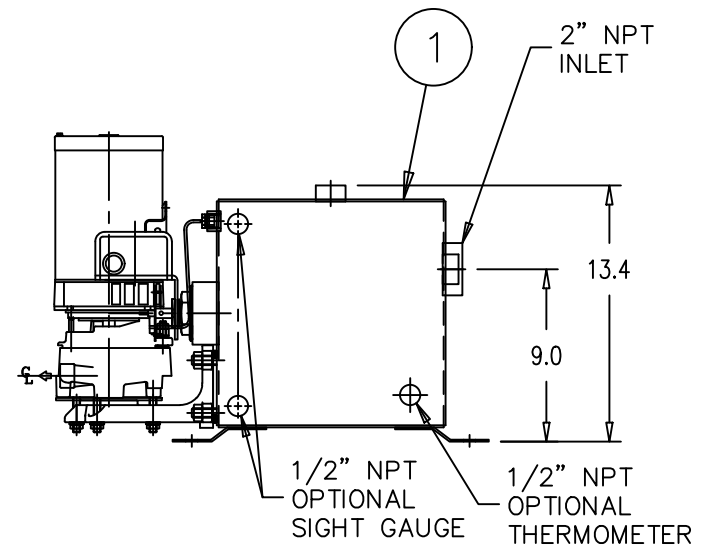
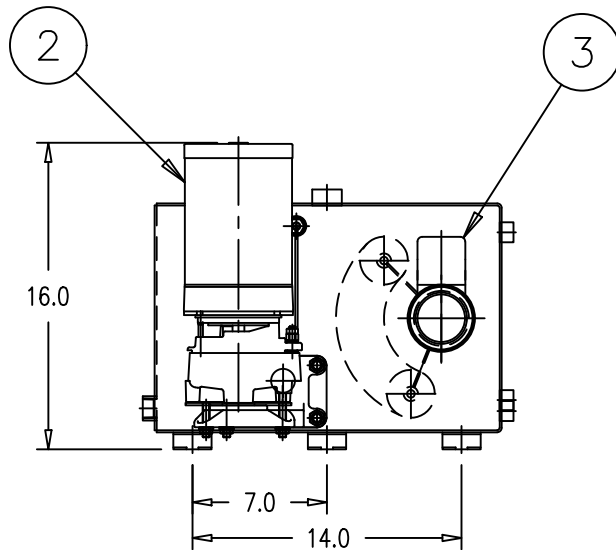


BILL OF MATERIAL		
ITEM #	DESCRIPTION	MODEL
1	304 STAINLESS RECIEVER STORAGE CAPACITY: 10 GALLONS	
2	304 STAINLESS CENTRIFUGAL PUMP & 1/3 HP MOTOR	10303C4AB-F
3	SIMPLEX FLOAT SWITCH	9037HG38Z20



FABTEK

MODEL: SS10-S